



SelectTone® Standby Battery/Back-up Power Supplies

Models PS250 and PS600

FOR PRIMARY AND EMERGENCY POWER

- Available in 120VAC and 240VAC
- Supplies 12VDC or 24VDC
- Integrated battery charger
- Choice of 7 or 12 amp-hour capacity
- Meets NFPA standards
- Type 1 enclosure
- UL Listed

Federal Signal Power Supplies provide nominal 12VDC or 24VDC power that is switch selectable. The PS250 and PS600 are designed for use as standby battery back-up during a power outage. Both power supplies operate from a 120VAC, 60Hz power source (240VAC available upon request).

The steel enclosure is designed to mount on a wall or substantial vertical surface (indoor only). A key lock is provided to discourage unauthorized access – simple lock installation is required.

The power supply sub-assembly, which recharges the batteries, includes solid-state circuitry that provides DC operating voltage to units in a SelectTone® system, while maintaining a charge level on the batteries.

Both units can also be used as a primary 12V or 24V power source for other devices/systems.

Model PS250

The Model PS250 battery package includes two sealed lead-acid, gelled electrolyte batteries connected in series. Model PS250 is rated for seven amp-hours of capacity at 2.5 ampere. The PS250 is UL Listed.

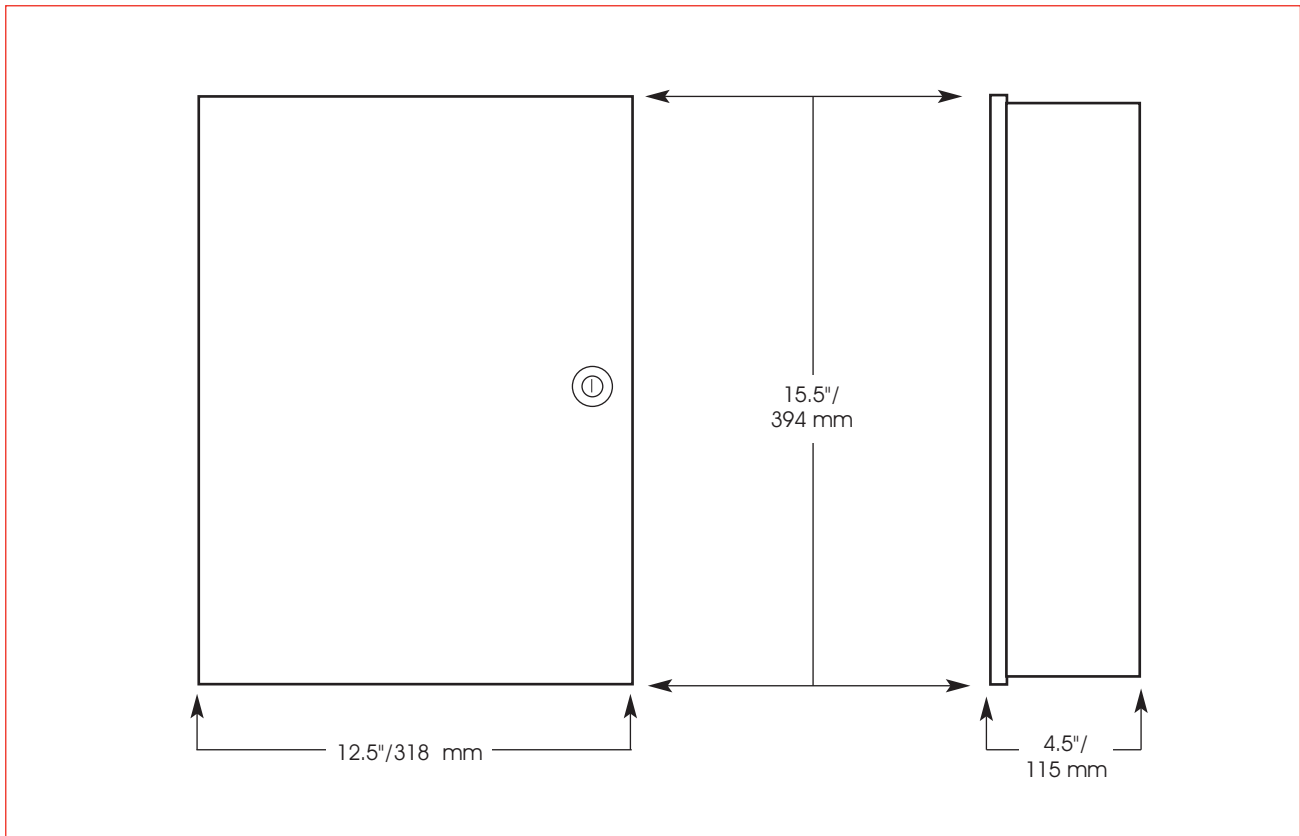
Model PS600

The Model PS600 includes two 12-volt sealed, lead-acid, gelled electrolyte batteries, connected in series. Model PS600 batteries are rated for 12 amp-hours. This unit has a six ampere capacity. Model PS600 is UL Listed.

Model	Voltage	Output Current	Output Voltage
PS250	120VAC	2.50 amps	12/24VDC
PS600	120VAC	6.00 amps	12/24VDC
PS250	240VAC	1.25 amps	12/24VDC
PS600	240VAC	3.00 amps	12/24VDC



SELECTONE® BACK-UP POWER SUPPLIES (PS250/PS600)



SPECIFICATIONS

Operating Temperature:	32°F to 120°F	0°C to 49°C
Net Weight:		
PS250	10.25 lbs.	4.65 kg
PS600	12.65 lbs.	5.74 kg
Shipping Weight:		
PS250	12.1 lbs.	5.49 kg
PS600	14.5 lbs.	6.58 kg
Height:	15.5"	394.0 mm
Width:	12.5"	318.0 mm
Depth:	4.5"	115.0 mm

HOW TO ORDER

- Specify model number
- Specify options:
 120/240VAC Transformer (K120819A)
- Please refer to Model Number Index PS250/600 beginning on page 380

REPLACEMENT PARTS

<i>Description</i>	<i>Part Number</i>
12-volt, 12 amp-hour Battery (Model PS600)	K155190A
12-volt, 7 amp-hour Battery (Model PS250)	K155189A
PC Board (Model PS600)	K2001312A
PC Board (Model PS250)	K2001313A
120/240VAC Transformer	K120819A